



Elite House



FORTUNE INFRA DEVELOPERS

About Us

We aim to transform visions & ideas into steel, masonry & concrete realities. Our clients represent a broad spectrum of individual & business sector, allowing us the opportunity to apply our experience, know-how & passion for excellence to each specific project in order to successfully handle every challenge in special circumstances. We thrive to provide the best construction experience through relationships built on integrity & performance, fuelled by a commitment to continual improvement, both personally & professionally.



FORTUNE

Elite House Neral

Why Fortune Elite House ?

Fortune Elite House redefines budget homes with the best quality of amenities, providing the ideal homes of your dreams within your budget. Our houses will ensure you live safe and secure lives and give you a lifetime of happiness. Neral is the next big residential hub. Our effort is to bring sustainable development and quality lifestyles at affordable prices in this town.

Fortune Infra Developers completes your vision of the best homes, best amenities and best life in the best budget. We infuse the same eye for quality, ideas of innovation and depth of commitment to our projects. We also look after the development of the surrounding areas, looking after the social, educational upbringing of the people of the area we develop and infusing modernity, prosperity and social health. Come to a place where like minded families cherish happiness every day.



Neral

Neral is one of the most eyed locations of the eastern part of Mumbai to have the dream home. Neral has transformed from a small town to an area that offers all modern amenities to its residents. There are four important pillars for a locality to gain consumer preference-physical infrastructure, social infrastructure, new developing infrastructure and connectivity to job hubs. Neral ticks many of these boxes. With fast growing real estate developments, it is very soon going to become a sought after town, as the area is well surrounded by provisional shops, banks, ATMs, supermarkets, schools, hospitals, colleges, eating joints, and shopping hubs.

Neral is a gem of a place at the foot hills of Matheran. One can enjoy the partial climate of the hill station due to its close proximity to Matheran hill station located just 6 km away, perfect location for a second home.

Matheran

Matheran, a charming hill station near Mumbai is one of the rarest hill stations in India where vehicles are entirely banned from entering, making it one of the sought after weekend getaways from Mumbai and Pune. One could reach this hill station through narrow gauge iconic Matheran toy train or via a pony ride. Here you literally walk on the clouds as they soar beneath you, embark on nature walks and hikes and there are places of historical interests too.



Neral Railway Station



Ganesh Ghat & Matheran Hills



Neral Tapalwadi Waterfall



Matheran Toy Train-queen Of Sahyadri Hills



Neral

Fall in love with nature.



Proposed Ropeway



Anandwadi Waterfall (Matheran)



Neral to Matheran



Panvel-Bhimashankar highway(Upcoming)

Connectivity:

Neral is about 84km from Mumbai and 118km from Pune via the Mumbai-Pune Expressway. Neral is just over two hours from Pune. Hence, it is of interest to both, buyers from Mumbai and Pune.

- * An existing four-lane Badlapur-Khopoli Highway connects it to the Mumbai-Pune Expressway.
- * There are two big MIDCs, within a 30-minute distance from Neral.
- * Neral is connected to CST and Thane through the Central Line of Mumbai's suburban railway network, with a local train frequency of one every half hour.
- * The Panvel-Karjat local train network will reduce the time required to travel from Navi Mumbai's CBD and the international airport to Neral.

Upcoming infrastructure:

- * With the upcoming Panvel-Bhimashankar highway, Neral will be 40 minutes away from Navi Mumbai International Airport.
- * Proposed Matheran ropeway is said to be one of the longest ropeway of India. It will take around 20 minutes to reach Matheran.



FORTUNE

Elite House Neral 

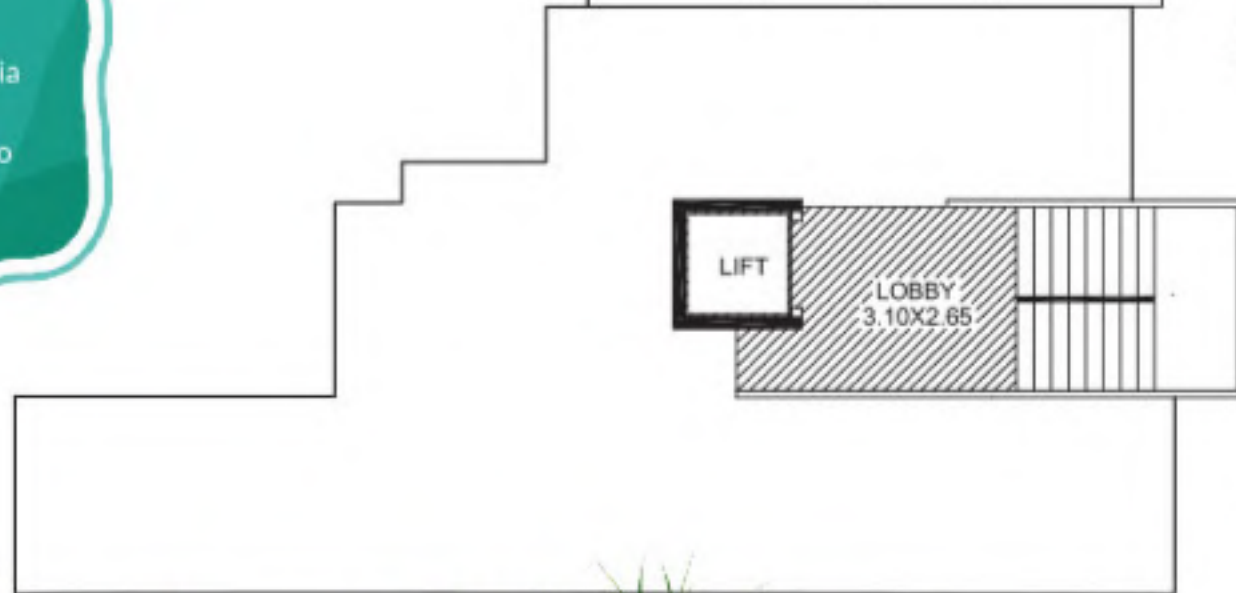
Typical Floor Plan

Neral

- Popular among property buyers
- Proximity to Commercial Hubs
- Next big residential hub after Badlapur & Kalyan on the same rail track
- An expanse of affordable housing projects
- Easy connectivity to Mumbai via the road-rail network
- Tourist destination place due to proximity to Matheran

OTLA 25.00	OTLA 17.00	OTLA 17.00	OTLA 25.00
SHOP 2.25X4.7	SHOP 1.60X4.7	SHOP 1.60X4.7	SHOP 2.25X4.7

Ground Floor Plan



Typical Floor Plan



FORTUNE

Elite House Neral



Isometric View



First & Third Floor Plan





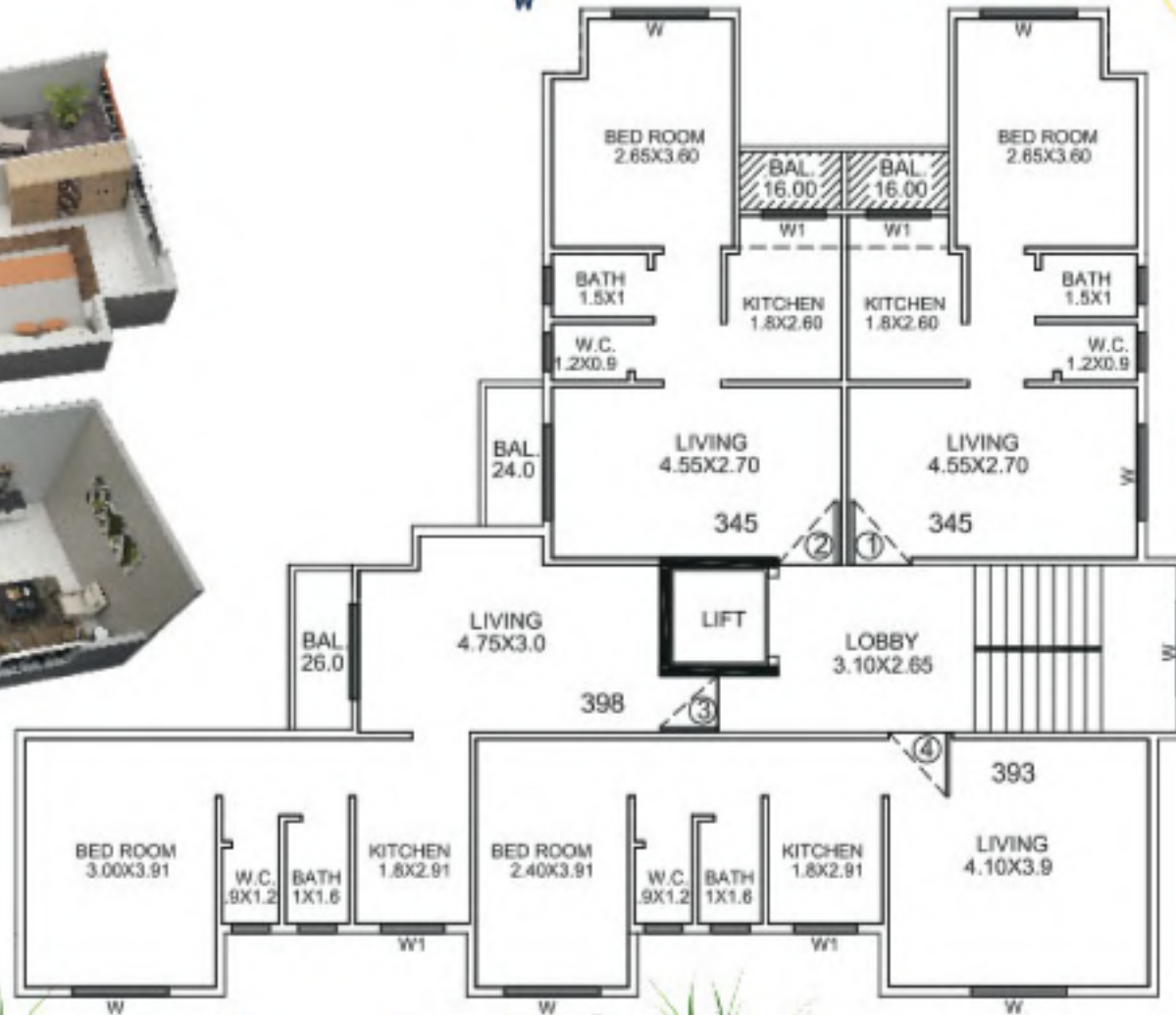
FORTUNE

Elite House Neral 

Typical Floor Plan



Isometric View



Second & Fourth Floor Plan



FORTUNE

Elite House  Neral

Amenities



Flooring:

- 24"x 24" joint free ceramic tiles flooring in all rooms
- Anti-Skid flooring in the Bathroom and WC



Walls:

- Elegant designer wall tiles up to full height in bath and in WC
- 6" thick external and 4" thick internal brick wall



Paints:

- External acrylic water resistant paint
- Sand faced plaster externally
- Internally acrylic plastic paint with roller finish
- Decorative entrance lobby
- Terrace water proofing with glazed finish



Kitchen:

- Granite kitchen platform with SS sink
- Glazed tiles up to 4' height above the kitchen platform



Windows:

- Aluminium powder coated sliding windows with Opaque Glass



Plumbing/ Sanitary:

- Concealed plumbing with hot & cold mixer arrangement of branded make
- Modular and Branded Sanitary ware and Bath fittings



Doors:

- All the doors frames with Sal Wood frame
- Designer sheet on entrance door on both sides with magic eye and night latch
- Brass fittings for entrance door and heavy aluminium fitting for other doors
- Waterproof doors in Bath and WC



Electrification:

- Concealed electrification with sufficient electric points
- TV & Telephone point for living room



Others:

- R.C.C. framed Earthquake resistant structure
- Adequate O/H and U/G water tank



Special Amenities:

- Reputed and Best quality lifts
- 24 hours Security
- Cctv camera surveillance
- Power backup in Common are and lifts

Your **Dream Home**
in the lap of **Nature...**



Ariel View

FORTUNE

IMPERIAL Neral

ON GOING PROJECT

HIGHLIGHTS

- Ground + 4 Stroyed Building
 - 1 Bhk 24 Flats & 8 Shops
- 1.5 Km From Neral Railway Station

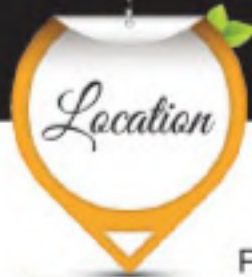
SPECIAL AMENITIES

- Reputed and Branded Lifts
 - 24 Hours Security
- Power Backup in Common Area



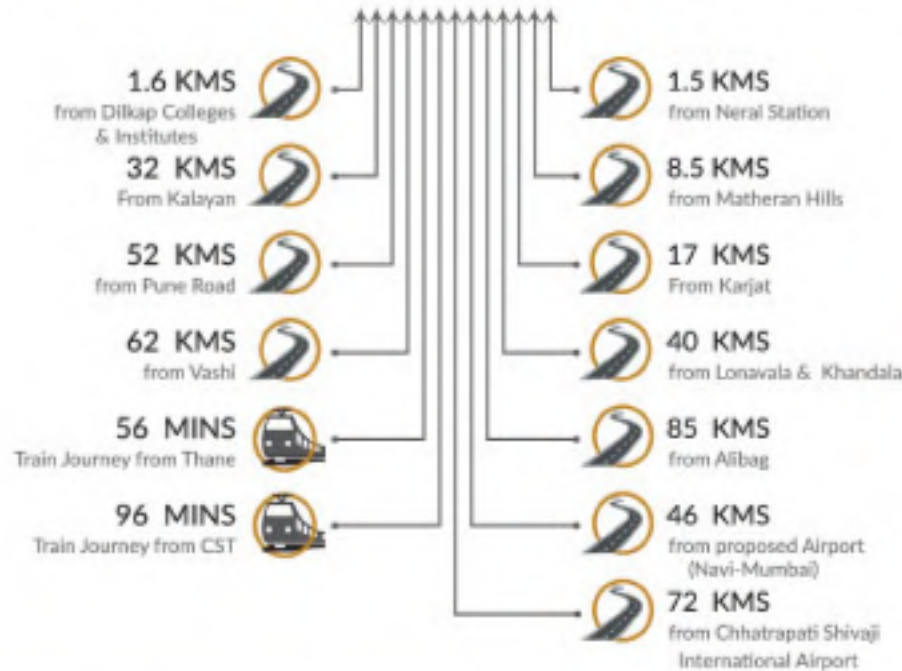
FORTUNE

Elite House Neral



Project Features:

Fortune Elite House is located in Mamdapur, which is a Village in Karjat Taluka in Raigad District of Maharashtra State, India. It belongs to Konkan region. Lying in the lap of Matheran hills, Mamdapur is a beautiful village to live in.



A project by :

FORTUNE INFRA DEVELOPERS

Main Off: F-25, Centurion Mall, Sec 19A, Near Seawood Station, Nerul (E), Navi Mumbai - 400706
 Phone: +91 9594900010, +91 9167707772, +91 8928498880
 Website: www.fortuneinfradevelopers.com

Site Off: Mamdapur Plot 61A, Near Khanqah-e-Nomaniyah Mujaddidiyah Neral, Maharashtra 410101
 Email: info@fortuneinfradevelopers.com, emad@fortuneinfradevelopers.com

Architect:
SHASHWAT CONSULTANTS

RC.Consultant:
RANE CONSULTANTS

Leagal Advisor:
ADV. ALTAF L. DONGRE

Site:
MAMDAPUR, NERAL

Disclaimer: The specifications, facilities, image and other details herein are only indicative and the developer / owner reserves the right to change any or all of these in the interest of the development. The printed material does not constitute an offer and / or contract of any type between the developer / owner and the recipient. Any purchaser / lessee of any unit under this development shall be governed by the terms and conditions of the agreement for sale / lease entered into between the partners and no detail mentioned in this printed material shall in any way govern such transactions.